



**Plastic mini tower with
2 sides for 4 elements
per side white Simon
500 Cima**

Ref.: **52550204-030**

BASIC INFORMATION

Series	Simon 500 Cima
Version	2 sides
Number of modules	4 per side
Finish	White
Available in	2 sides
KIT availability	No
Protection against entry of dust and small objects	Yes, thanks to the inclusion of protective foam
Compatibility	Simon 500 Cima and Simon 27 Play/Simon K45 mechanisms (using an adaptor)
Packaging contents	Mini tower, metal partition wall, fixing studs;ground connection cable, non-slip adhesive foam, screws and installation manual
Remarks	Directly secured to the floor using screws, with the option to integrate into 85x18 mm floor trunking using the specific baseboard ref.52554204-030

Technical information

Dimensions	154 x 126 mm
Depth	122 mm
Heat resistance	+125 °C (in accordance with standard IEC 60695-10-2)
Extinguishing	+850 °C / 30 seconds (GWFI in accordance with standard IEC 60695-2-11)
Insulation resistance	>5MOhms at 500V
Dielectric strength	No holes or contours, with 2000V at 50 Hz for 1 minute
Screws required for fixing to the floor	4
Electromagnetic immunity for VDM wiring	Secured by installing the metal partition wall in the housings fitted into the box for this purpose.
IP rating	4X
IK Classification	8
RAL	9003
Manufacturing material	Halogen-free thermoplastic that guarantees no flame propagation in case of fire and low toxicity in case of smoke emission.
Type of product	Standard
Market available	CE

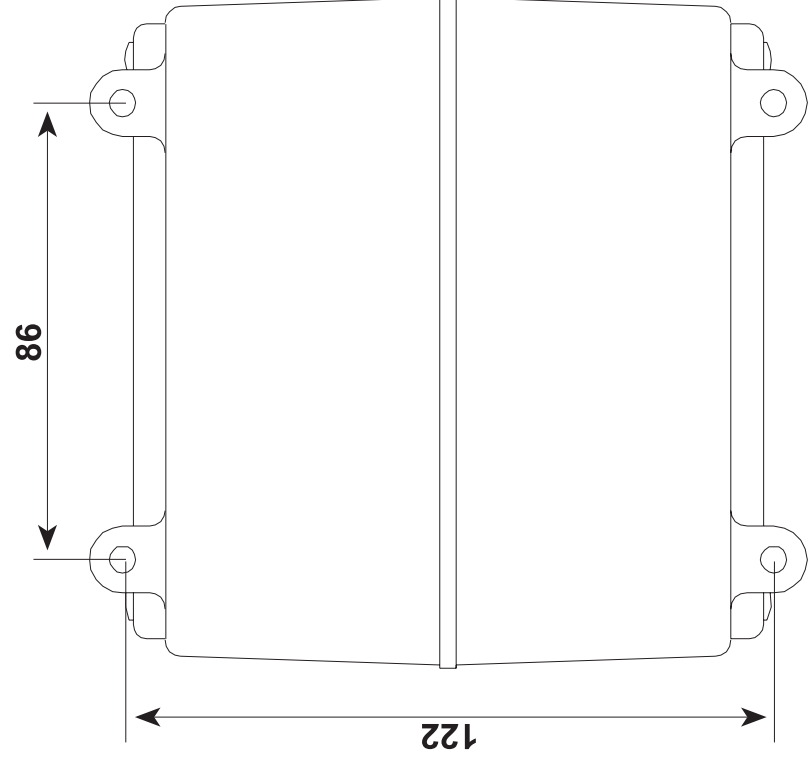
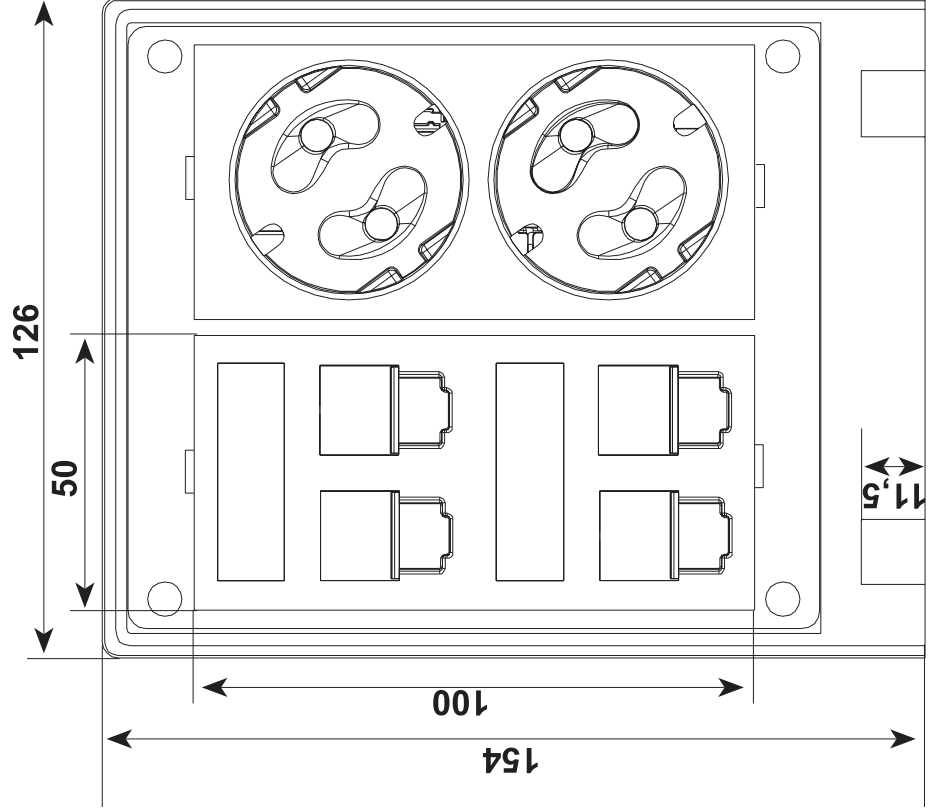
Regulations

Regulations	Directive 2014/35/UE LVD + EN 50085-2-4:2009
-------------	--

Installation and maintenance

Installation type	Suitable for installing in any floor type, raised or concrete
Type of fastening	Using the screws supplied
Installation direction	Vertical, corresponding with the direction of the mechanisms
Removal of the frame	Only with tool

Removal of components	Only with tool
Temperature range during installation	-5 to 60 °C
Max. temp. during construction work	+60 °C
Maintenance	Clean with a soft, dry cloth. Do not use abrasive cloths or cleaning products that contain chlorine.





www.simonelectric.com



SIMON, S.A.U.

Diputación, 390-392
08013 Barcelona (Spain)
Tel.: +34 93 547 81 81