



German double socket outlet 16A 250V~ with safety device, LED and 1Click® terminal connection system white Simon 500 Cima

Ref.: **50010432-030**

BASIC INFORMATION

Series	Simon 500 Cima
Version	Double
Intensity	16 AX
Voltage	250 V~
Number of sockets	2
Number of modules	2
Finish	White
Format	Schuko
Monoblock	No
Available in	German and French format
Type of terminal connection	1 click connection (1 click®)
Number of terminals	3 inputs and 3 outputs
Number of connections per terminal	1 terminal connection for click terminal connection system and 2 terminal connections for screw terminal connection system
Type of mechanism	Insertion
Indicator function	Sí
Linkable	Yes, using accessory 50000996-039
KIT availability	Sí
Compatibility	Simon 500 Cima enclosures
Packaging contents	Double socket outlet with cover, LED status indicator and installation manual

Remarks

Possibility to order replacement cover in case of breakage, with article no.50001841-030

Technical information

Dimensions	100 x 50 mm
Depth	46 mm
Cable section admitted	From 1.5 to 2.5 mm
Cable stripping necessary	Not necessary
LED consumption indicator	0.55 mA
Heat resistance	+125 °C (in accordance with standard IEC 60695-10-2)
Extinguishing	+850 °C / 30 seconds (GWFI in accordance with standard IEC 60695-10-2)
Insulation resistance	>5MOhms at 500V
Dielectric strength	No holes or contours, with 2000V at 50 Hz for 1 minute
IP rating	20
RAL	9003
Manufacturing material	Metal components with self-extinguishing, halogen-free thermoplastic insulation that guarantees no flame propagation in case of fire and low toxicity in case of smoke emission.
Type of product	Standard
Market available	CE

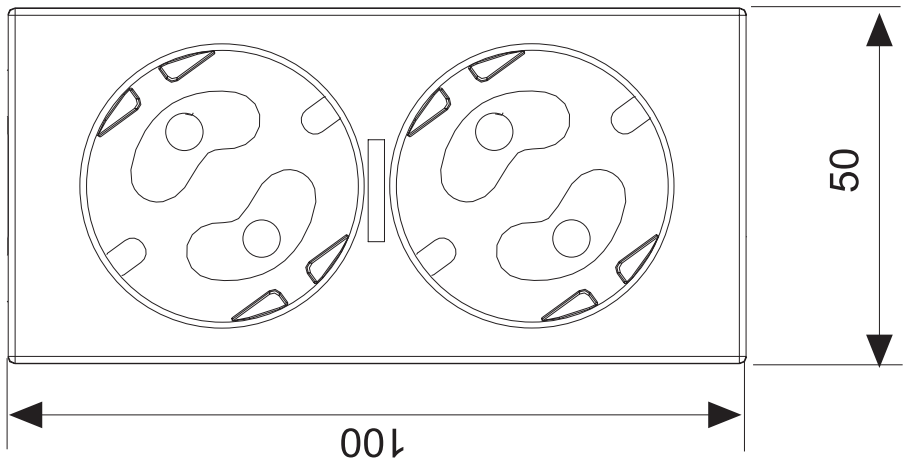
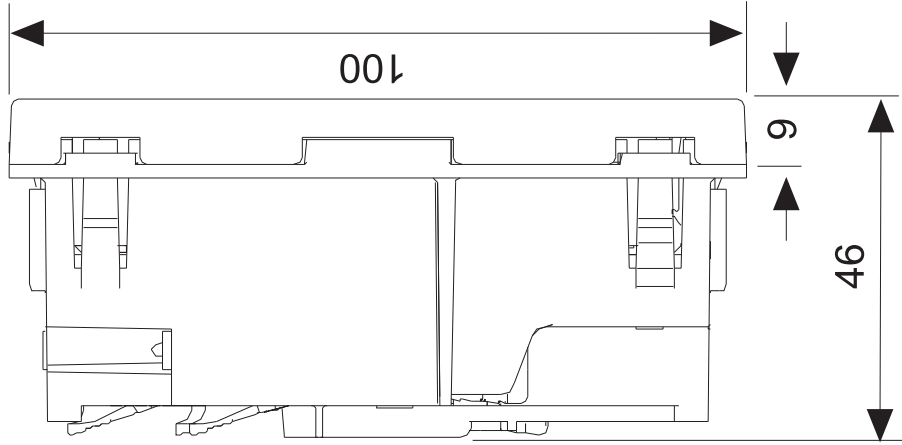
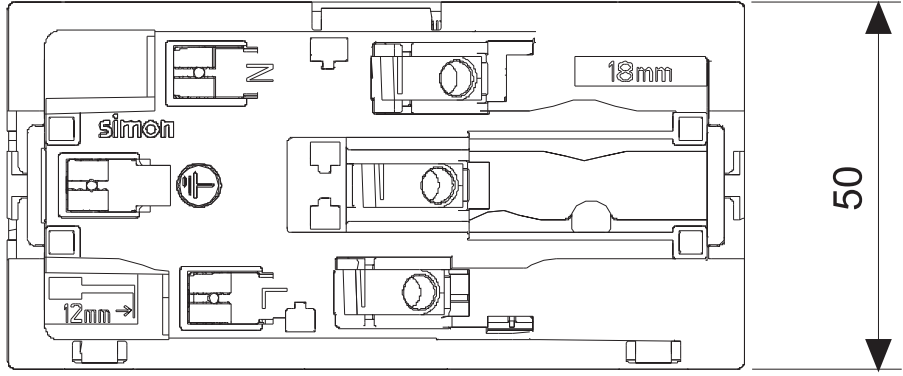
Regulations

Regulations	Directive 2011/65/UE RoHS + EN 50581:2012 + IEC 60884-1 Ed. 3.2
-------------	---

Installation and maintenance

Installation type	Suitable for surface and flush mounting
Installation direction	Vertical and horizontal
Installable in flush mount junction box	Specific Simon 500 Cima

Removal of the socket	Only with tool
Removal of cover	Only with tool
Temperature range during installation	-25 to 60 °C
Max. temp. during construction work	+60 °C
Maintenance	Clean with a soft, dry cloth. Do not use abrasive cloths or cleaning products that contain chlorine.





www.simonelectric.com



SIMON, S.A.U.

Diputación, 390-392
08013 Barcelona (Spain)
Tel.: +34 93 547 81 81